

LumiSplit 1.6



QUICK START GUIDE
The basic features for an easy set-up

WELCOME TO YOUR LUMISPLIT 1.6

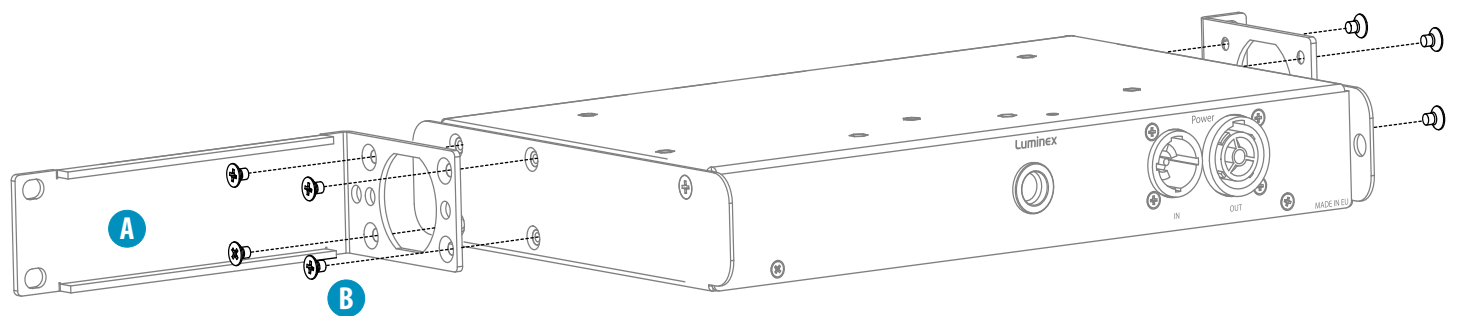
Congratulations, you managed to buy some of the latest high-end technologies in the entertainment industry. Now let's rock and roll! Read this quick start guide carefully to get familiar with the basic features of the LumiSplit 1.6.

I. MOUNTING THE DEVICE

LumiSplit 1.6 is a device that can be mounted in a truss as well as in a rack. Please read the following instructions to make sure the device is mounted and secured correctly.

1.1 RACK MOUNT

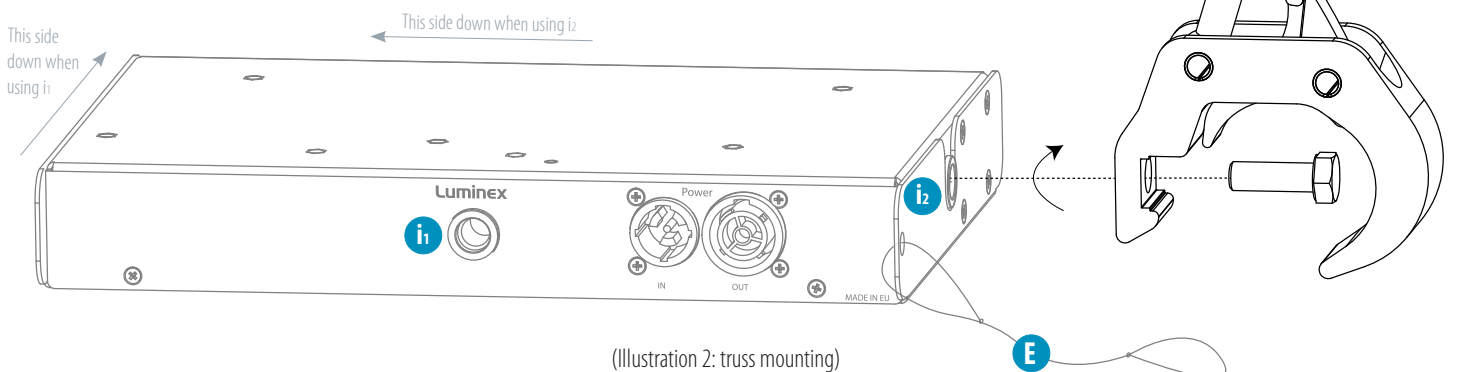
In case you want to mount your LumiSplit 1.6 in a standard 19 inch rack, you first have to attach the included mounting ears. Connect the longest ear (A) to right hand side of the device with 4 out of the 8 screws (B) included in the box. Attach the shorter ear to the left hand side with the 4 screws that are left. In this way the input connector nicely lines up with the inputs from possible other LumiSplits in the rack.



(Illustration 1: rack mounting)

1.2 TRUSS MOUNT

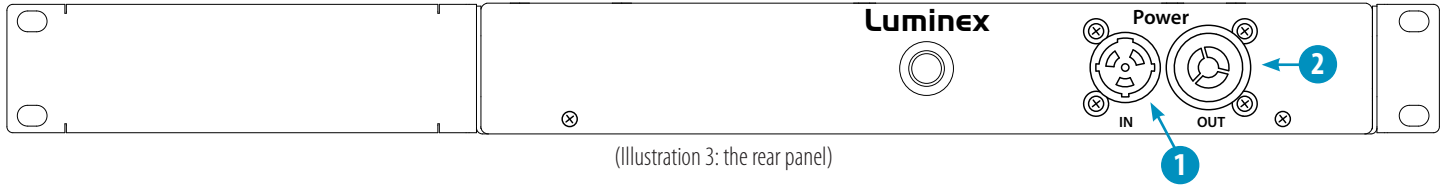
To mount LumiSplit 1.6 in a truss, you have to attach a 10M clamp (C) to one of the two inserts (i1 or i2). After that, you can mount the clamp to the truss bars. Please also secure the device by attaching a safety line directly to the truss bars as well (E).



(Illustration 2: truss mounting)

2. POWER UP THE DEVICE

Power-up the device with a power cable with Neutrik powerCON TRUE1 connection (1) (please contact your local dealer if you don't have a suitable power cable on hand). The device will automatically switch on. To shut it down after use, just un-plug the power cable again. To power-up multiple devices, you can daisy-chain the power links by using the output connector. (2).



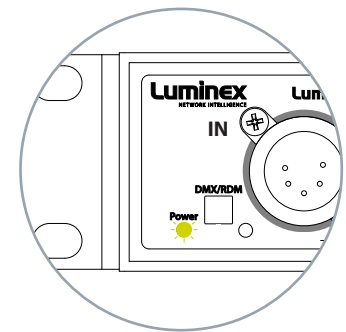
(Illustration 3: the rear panel)

- 1 - **Power In:** Power input on Neutrik powerCON TRUE1
- 2 - **Power Out:** Power output on Neutrik powerCON TRUE1

After connecting a power cable correctly, by default the power LED indicator on the front panel will light up in green. This indicates the general status is set to 'normal/unlocked'. The RGB power LED changes color by switching to other modes:

(Table 1: power LED colors)

POWER LED	COLOR DESCRIPTION	STATUS
○	Dimmed	Dark mode
●	Green	Normal, unlocked front panel (by default)
●	Orange	Locked front panel
☀	Blinking red & green	Firmware upgrade
●	Red	Port error
☀	Blinking red	Factory reset
●	Blue	Custom parameters set through RDM

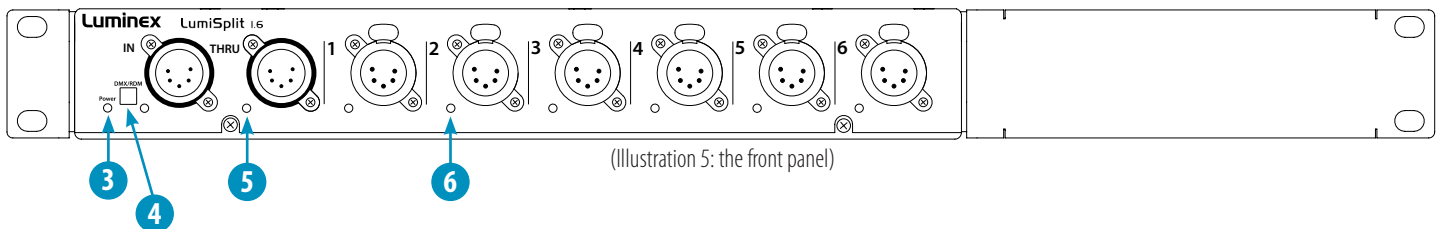


(Illustration 4: power LED on front panel)

3. FEATURE SELECTION

After the device has been powered-up correctly, you can start toggling between the different port modes. To do that, follow the instructions on the next pages. **For more advanced settings, please consult the full manual on our website.**

Through the front panel, you can connect 1 input, 1 thru connection and 6 outputs (1 to 6). Each output has a LED indicator (6). These are used to display the port status. The input button (4) is used to change the RDM mode of every output.



(Illustration 5: the front panel)

- 3 - **Power LED:** Indicates the general status of the splitter
- 4 - **Input button:** Enable/disable RDM filtering per input

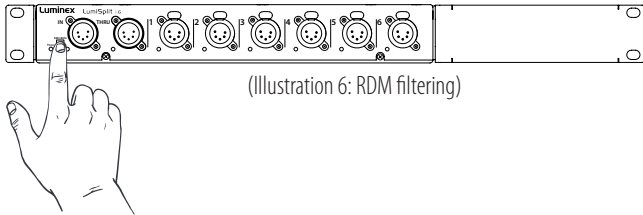
- 5 - **Input LED:** Indicates the input status
- 6 - **Output LED:** Indicates the output status and the selected mode

3.1 RDM FILTERING

This device supports RDM filtering to prevent lighting fixtures from being flooded by undesired RDM packets. You can enable or disable RDM filtering on every output at once, but also per output.

RDM filtering on every outlet

Press the input button shortly to enable or disable RDM filtering on every output. The input and output LED indicator colors will change accordingly (table 2).



RDM filtering per outlet

You can only enable or disable RDM filtering per outlet through RDM. Connect the device to a PC with a Luminex Ethernet/DMX converter and access Luminex Monitor software.

LED COLOR	COLOR DESCRIPTION	RDM FILTER
●	Blue	OFF
●	Cyan	ON

(Table 2: output LED colors)

3.2 FRONT PANEL LOCK

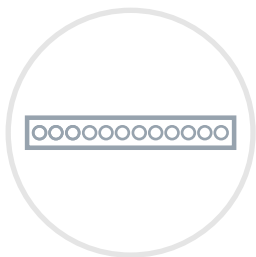
For reliability reasons you can lock the front panel. In that way nobody can accidentally change the settings of the splitter during a live event for example. To lock and un-lock the front panel, **press and hold the input A button for 4 seconds**. Once the power LED indicator blinks orange, release the button and the power LED indicator will turn orange. The front panel is now successfully locked.

3.3 FACTORY RESET

Sometimes it can come in handy to reset the entire device. To do that, **press and hold the input A button for 10 seconds**. Once the power LED indicator blinks red, release the button. This will reset all settings to default. Please keep in mind that also all user presets will be deleted after this procedure.

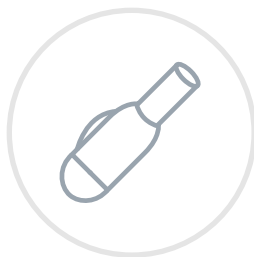
Package contents

(Please contact your local dealer in case of missing parts)



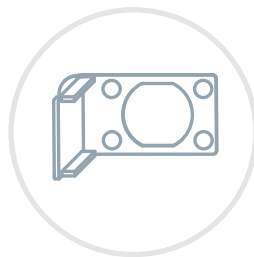
1x

Smart DMX/RDM splitter
(part no. LU 01 00064)



1x

PowerCON TRUE1 connector
(Neutrik NAC3FX-W)



2x

Rack mounting
brackets



8x

Mounting screws
for brackets



1x

Quick start guide