
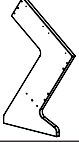
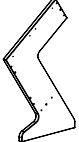

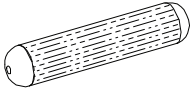
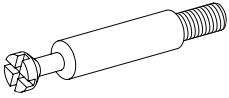
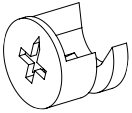
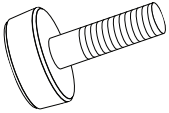
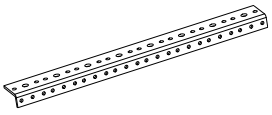
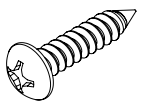


ULTIMATE

S U P P O R T

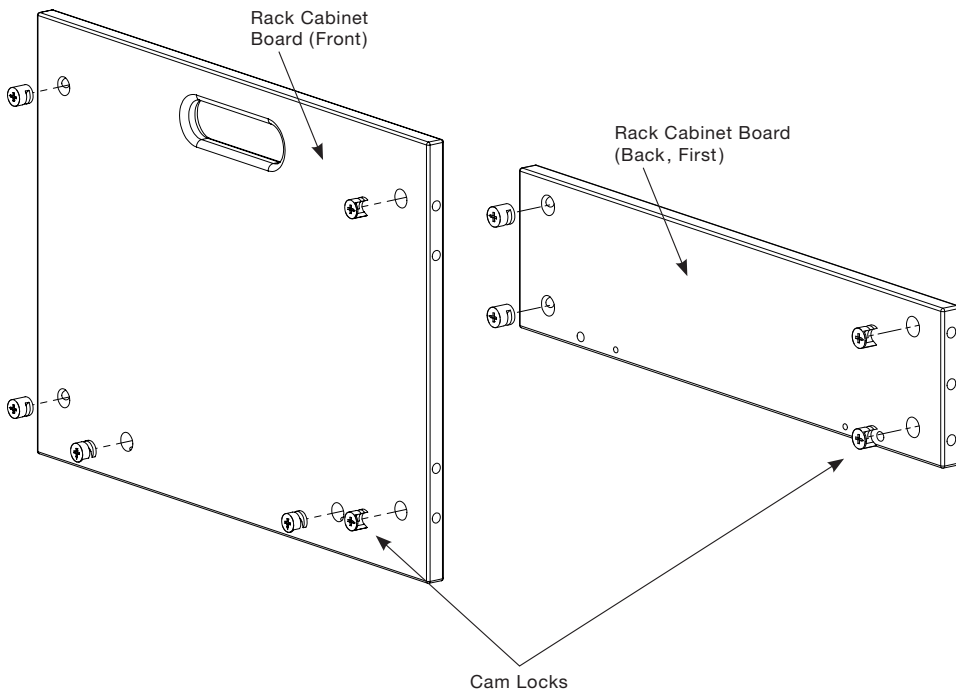
Instructions for Assembling Rack Cabinet

Included Parts with the Rack Cabinet - BOX 4

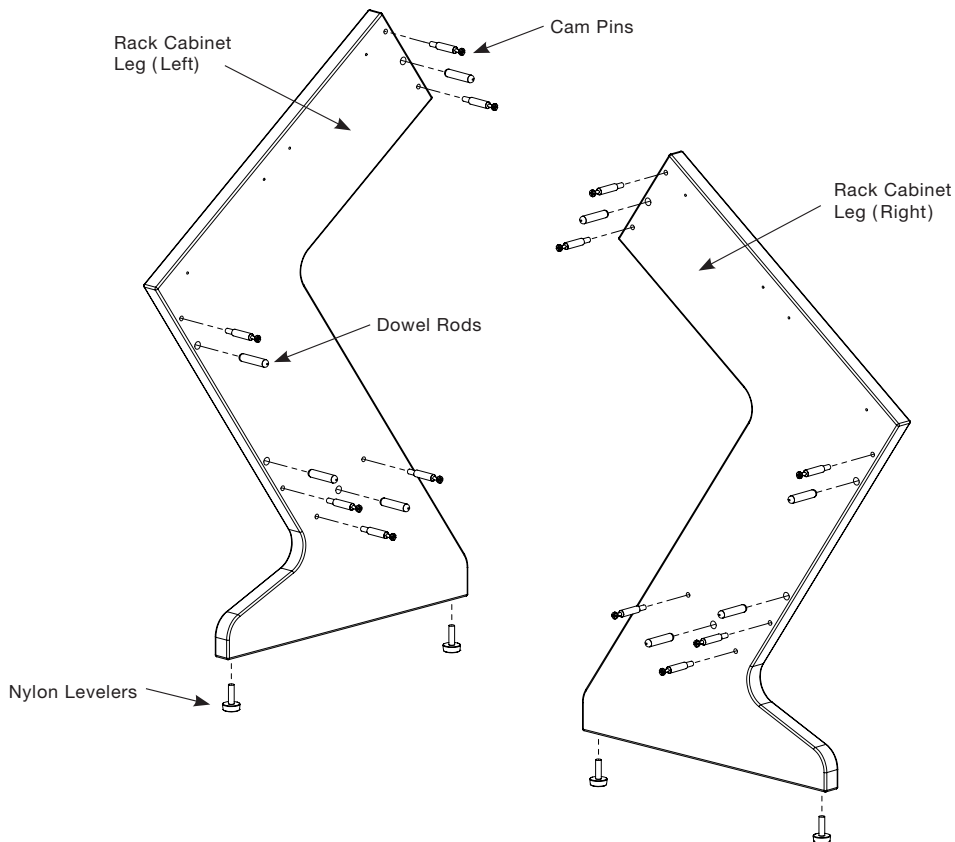
	Rack Cabinet Board - Front	x1
	Rack Cabinet leg - Right	x1
	Rack Cabinet leg - Left	x1
	Rack Cabinet Board - Back	x2
	Dowel Rod	x10
	Cam Pin	x14
	Cam Lock	x14
	Nylon Leveler with M6 Stem	x4
	8 Space Rack Rail	x2
	#8 x .75" Pan Head Wood Screw	x8

Please check to see you have all parts before starting. Once all parts are confirmed begin assembly.

ULTIMATE SUPPORT®

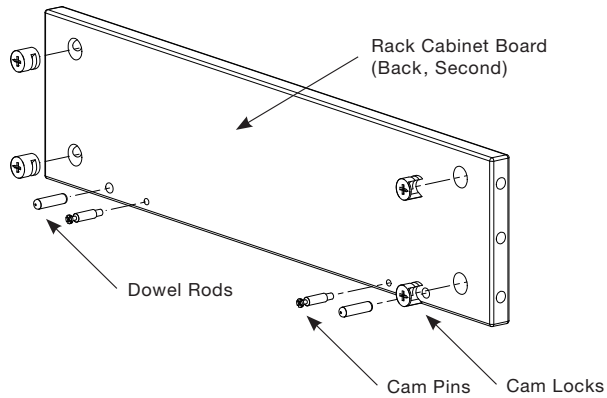


Push six cam locks into the front rack cabinet board. Choose one of the rack cabinet back boards and insert four cam locks.

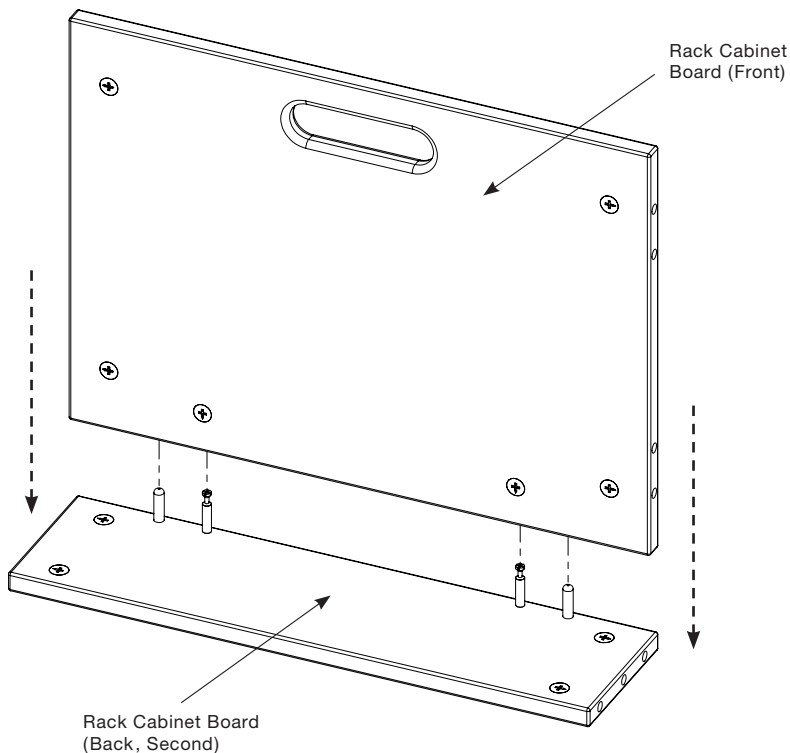


Screw in six cam pins and push four dowel rods into each of the side rack cabinet boards. Small holes are for the cam pins and the larger holes are for the dowel rods. Screw two nylon levelers into each of the rack cabinet board bottoms.

ULTIMATE SUPPORT®



Use the second rack cabinet back board. Place dowel rods, cam pins, and cam locks into board. Cam locks go into the largest holes, dowel rods in the next size hole. Finally, cam pins go into the smallest holes and need to be screwed into the back board.

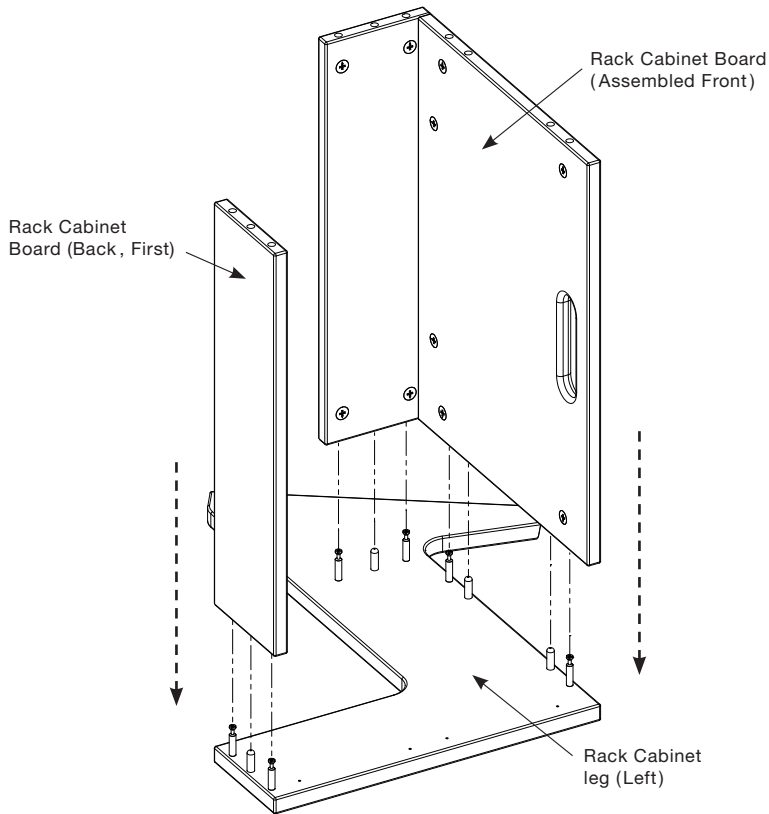


Lay the second rack cabinet back board down with cam pins and locks facing up. Slide front rack cabinet board onto the back rack cabinet board. Cam locks facing hardware on small board. Place screw driver into cam lock and turn clock wise to lock cam pins in place (2 Total)

NOTE:

If boards are not sliding into place, check cam locks. You may need to turn them counter clockwise for cam pin to fall into place, then turn clock-wise to lock into place.

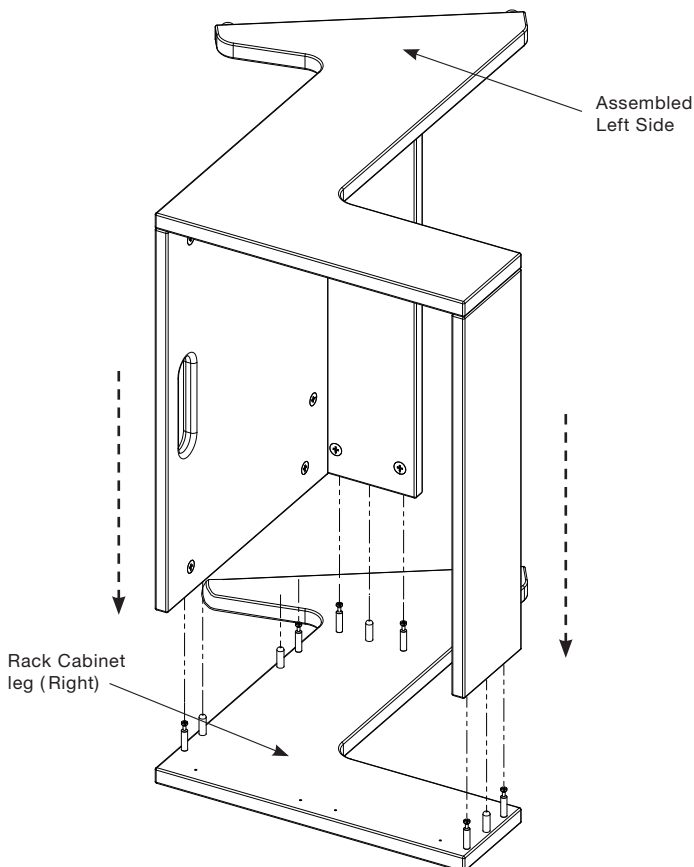
ULTIMATE S U P P O R T



Lay the left rack cabinet leg down with the hardware facing up. Slide the first rack cabinet back board into the left rack cabinet leg. Make sure the cam locks are facing inside. Slide assembled front rack cabinet onto left rack cabinet leg. Place screw driver into cam locks and turn clock wise to lock cam pins in place (6 Total)

NOTE:

If boards are not sliding into place, check cam locks. You may need to turn them counter clockwise for cam pin to fall into place, then turn clock-wise to lock into place.

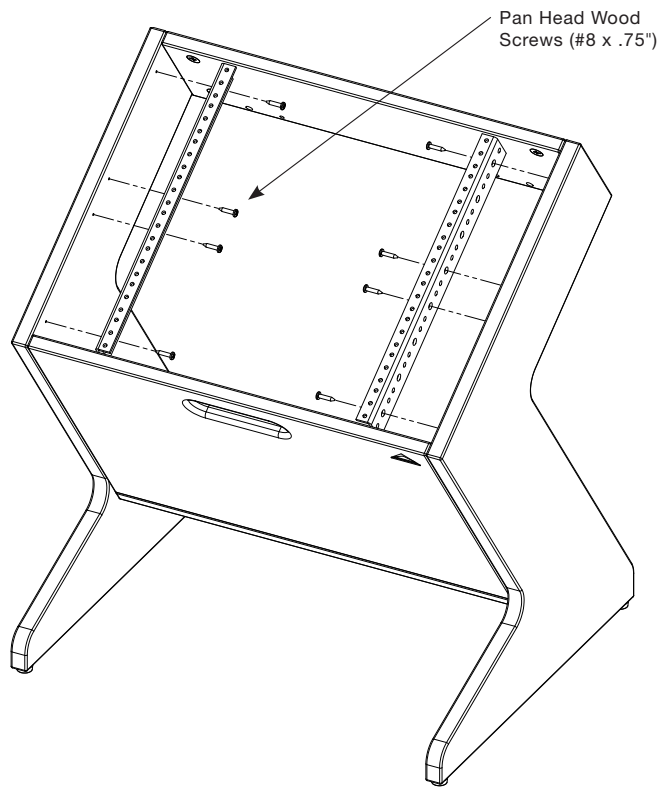


Lay the right rack cabinet leg down with the hardware facing up. Slide assembled left side onto right rack cabinet leg. Place screw driver into cam locks and turn clock wise to lock cam pins in place (6 Total)

NOTE:

If boards are not sliding into place, check cam locks. You may need to turn them counter clockwise for cam pin to fall into place, then turn clock-wise to lock into place.

ULTIMATE S U P P O R T[®]



Stand the rack cabinet up and find the four inside pilot holes on each side. Attach rack rails with four pan head wood screws (#8 x .75") on each side. Install screws on the top, middle and bottom of rack rails.

